

FLIR BLACKFLY[®] S

P/N: BFS-PGE-31S4, GIGE VISION



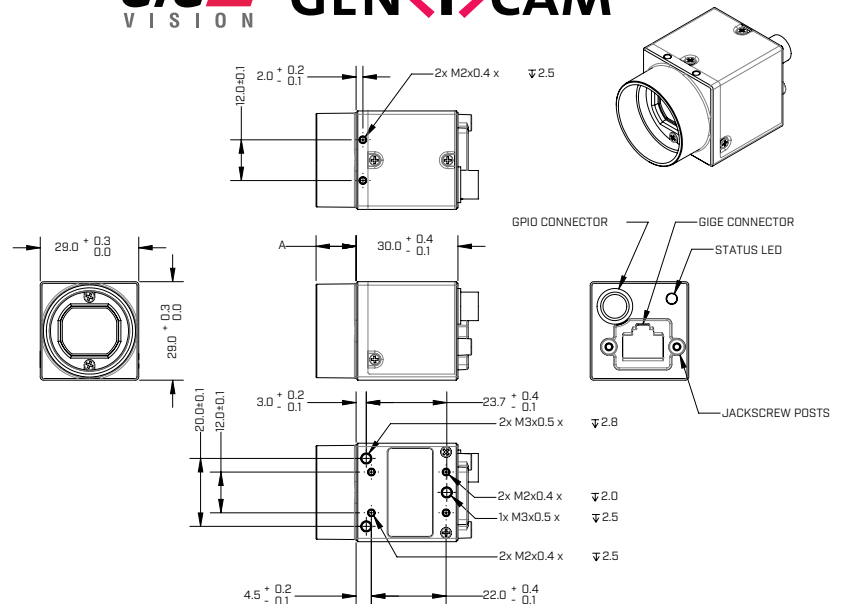
SMALL PACKAGE, POWERFUL RESULTS

The Blackfly S combines the newest CMOS image sensors with our new and intuitive Spinnaker software development kit. The many new advanced camera features are designed to meet your complex imaging needs and speed up development time.

KEY FEATURES

- Leverage the latest **CMOS sensors** and new on-camera image processing features. Harness increased **binning** flexibility, powerful **auto-exposure** controls and robust **color transformation** tools.
- Improve cycle time using advanced camera controls and programmable logic. Utilize **sequencer**, **chunk data**, **event notification**, **counters**, **timers** and **logic blocks**.
- Accelerate your time to market using our **GenICam3 API**, **GUI API library**, detailed **API logging** and comprehensive **documentation**.
- IEEE 1588 Precision Time Protocol for **accurate clock synchronization** with no user oversight.

GiG VISION **GEN<i>CAM**



Specifications

	BFS-PGE-31S4M	BFS-PGE-31S4C
Resolution	2048 x 1536	
Frame Rate*	35 FPS	
Megapixels	1.3 MP	
Chroma	Mono	Color
Sensor	Sony IMX265, CMOS, 1/1.8"	
Readout Method	Global shutter	
Pixel Size	3.45 μ m	
Lens Mount	C-mount	
ADC	12-bit	
Minimum Frame Rate**	1 FPS	
Gain Range**	0 to 48 dB	
Exposure Range**	11 μ s to 30 s	
Acquisition Modes	Continuous, Single Frame, Multi Frame	
Partial Image Modes	Pixel binning, decimation, ROI	
Image Processing	Gamma, lookup table, and sharpness	Color correction matrix, gamma, lookup table, hue, saturation, and sharpness
Sequencer	Up to 8 sets using 2 features, exposure and gain	
Image Buffer	240 MB	
User Sets	2 user configuration sets for custom camera settings	
Flash Memory	6 MB non-volatile memory	
Opto-isolated I/O	1 input, 1 output	
Non-isolated I/O	1 bi-directional, 1 input	
Auxiliary Output	3.3 V, 120 mA maximum	
Interface	GigE PoE	
Power Requirements	Power over Ethernet (PoE), or 12 V nominal (8 - 24 V) via GPIO	
Power Consumption	3 W maximum	
Dimensions/Mass	29 mm x 29 mm x 30 mm / 36 g	
Machine Vision Standard	Gige Vision v1.2	
Compliance	CE, FCC, KCC, RoHS, REACH. The ECCN for this product is: EAR099.	
Temperature	Operating: 0°C to 50°C Storage: -30°C to 60°C	
Humidity	Operating: 20% to 80% (no condensation) Storage: 30% to 95% (no condensation)	
Warranty	3 years	

*Frame rates are measured with Device Link Throughput Limit of 380 MBps and Acquisition Frame Rate disabled. Values are rounded down to whole numbers.

**Values are the same in binning and no binning modes.

***Ambient temperature; internal camera temperature is not considered.

FLIR Integrated Imaging Solutions

CANADA

12051 Riverside Way
Richmond, BC, Canada
V6W 1K7
T: +1 866.765.0827 (toll free)
T: +1 604.242.9937
F: +1 604.242.9938
E: mv-sales@flir.com
www.flir.com/mv

EUROPE

T: +49 7141 488817-0
F: +49 7141 488817-99
E: mv-eusales@flir.com

CHINA

T: +86 10 8215 9938
F: +86 10 8215 9936
E: mv-chinasales@flir.com

USA

T: +1 866.765.0827 (toll free)
E: mv-na-sales@flir.com

ASIA

E: mv-asiasales@flir.com

For a full list of international distributors and offices visit www.flir.com/contact-us

©2017 FLIR® Integrated Imaging Solutions Inc. All rights reserved. Names and marks appearing on the products herein are either registered trademarks or trademarks of FLIR® Systems, Inc. and/or its subsidiaries.